

SC-2063-x

NL - ZITTINGDRAGER DIETZ
EN - DIETZ SEAT SUPPORT

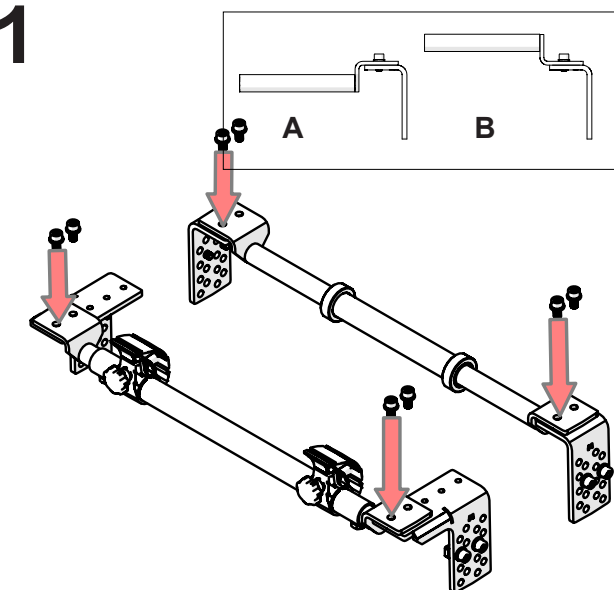
Lewis
SEATING SYSTEMS

5 3

Extra te pakken en in nieuwe zak doen:

1. SC-2762 (Pre-Final Seat Carrier Rail 30 mm)
2. bij -1 --> SC-2142 (Pivot Tube small)
bij -2 --> SC-2147 (Pivot Tube wide)

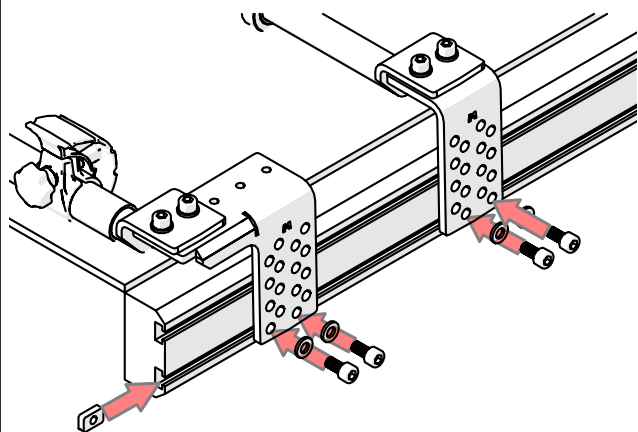
1



8X
DIN 912
M6x12

8X
DIN 125A
6.4

2

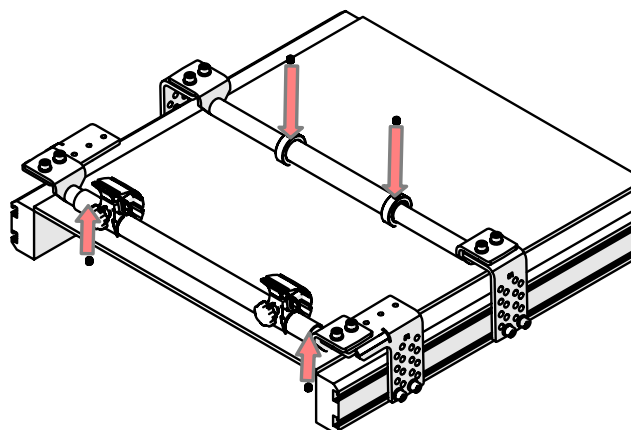


8X
DIN 912
M6x12

8x
DIN 125A
6.4

8X
NPL 009
M6x15

3



4X
DIN 916
M6x6

